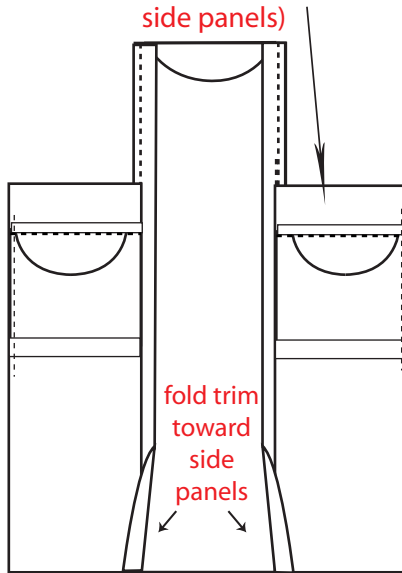


Step 5, diagram E update:

fold panel open and press;  
leave folded edge of trim  
toward center **except near**  
**bottom as shown (press**  
**trim near bottom toward**  
**side panels)**



After lining is sewn on, **continue to press the**  
**rest of the vertical trims toward the sides.**